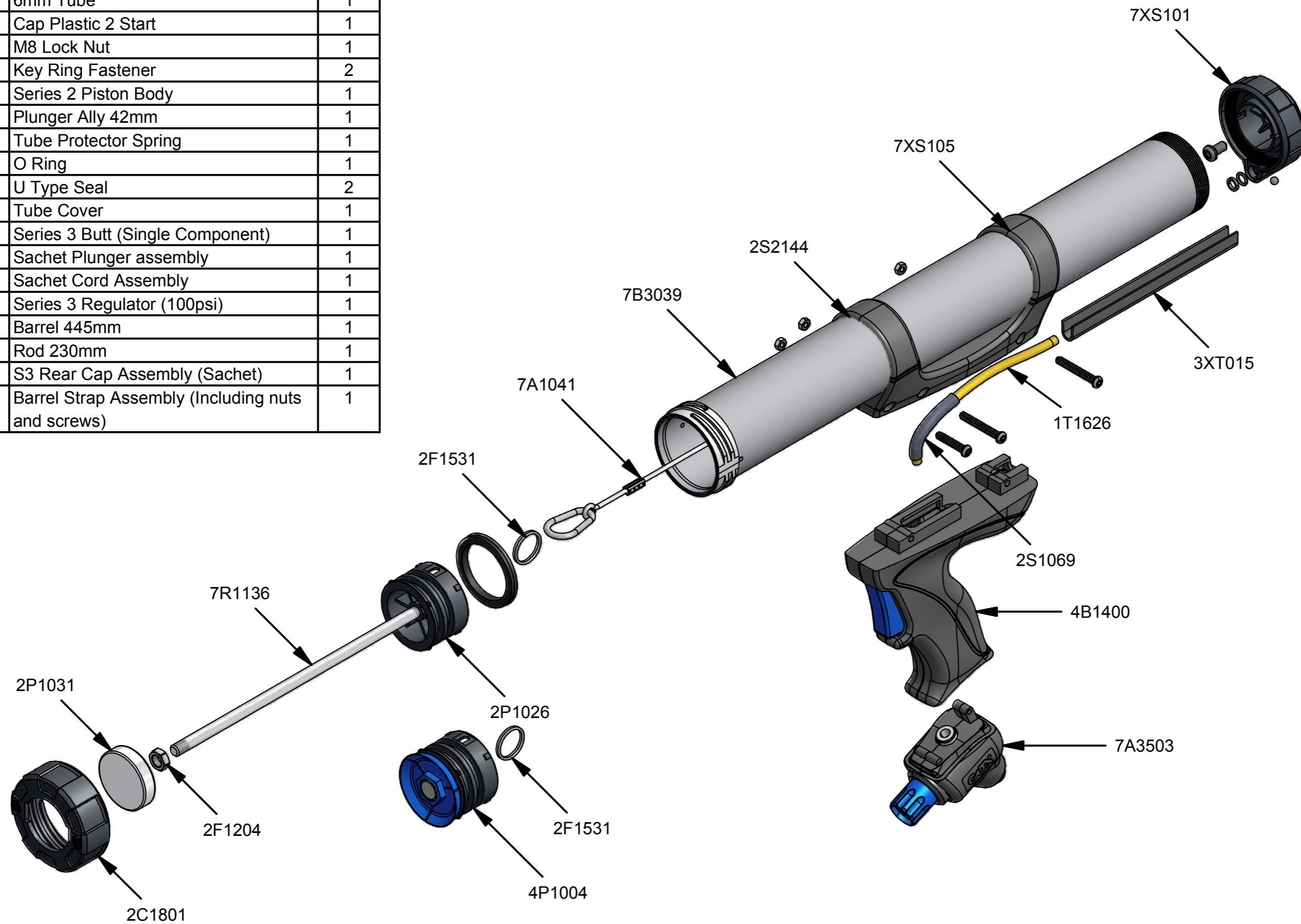


| Parts List | | |
|------------|---|-----|
| STOCK No | DESCRIPTION | QTY |
| 1T1626 | 6mm Tube | 1 |
| 2C1801 | Cap Plastic 2 Start | 1 |
| 2F1204 | M8 Lock Nut | 1 |
| 2F1531 | Key Ring Fastener | 2 |
| 2P1026 | Series 2 Piston Body | 1 |
| 2P1031 | Plunger Ally 42mm | 1 |
| 2S1069 | Tube Protector Spring | 1 |
| 2S2007 | O Ring | 1 |
| 2S2144 | U Type Seal | 2 |
| 3XT015 | Tube Cover | 1 |
| 4B1400 | Series 3 Butt (Single Component) | 1 |
| 4P1004 | Sachet Plunger assembly | 1 |
| 7A1041 | Sachet Cord Assembly | 1 |
| 7A3503 | Series 3 Regulator (100psi) | 1 |
| 7B3039 | Barrel 445mm | 1 |
| 7R1136 | Rod 230mm | 1 |
| 7XS101 | S3 Rear Cap Assembly (Sachet) | 1 |
| 7XS105 | Barrel Strap Assembly (Including nuts and screws) | 1 |



AF3 600-310 Sachet Cartridge



www.pccox.co.uk
sales@pccox.co.uk
TEL:44(0)1635 264500

REV

DATE

C

13/03/2013