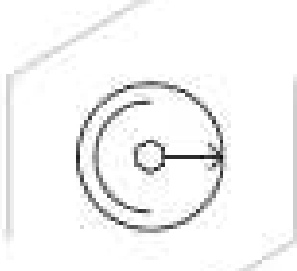


ATIS FERAX

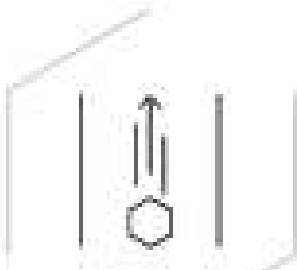
ATISferax manipulators, equipped with lever-operated vertical movement, allow the handling of loads in any direction without constraints, with exceptional naturalness and precision. These manipulators are extraordinarily light, resulting in extremely low movement inertia that makes it possible both to optimize cycle times even in the most demanding operations and to significantly reduce the operator's effort during handling.



110 KG
EXTIMATED CAPACITY
AT THE FLANGE



4 M
RADIUS



1,5 M
VERTICAL
STROKE



OFFSET LOADS

BALANCED TERMINAL ARM

Double-jointed system designed by ATIS to increase the manoeuvrability of the manipulator.

2

3

COMPRESSED AIR CONNECTION

Welded onto the column, with internal passage to the pneumatic control panel.

SWIVEL JOINT WITH LOCK

1

EXECUTIONS:

COLUMN ON SELF-SUPPORTING BASEPLATE

FIXED FLOOR COLUMN

OVERHEAD FIXED

OVERHEAD SLIDING