

ATIS ACER 80

Flexible pneumatic manipulator suitable for medium loads, designed to complete the range of ATIS pneumatic cable manipulators.

Equipped with an innovative installation system, it is ready to work in just a few minutes.

ADJUSTABLE JOINT

Special ATIS system studied to avoid draft of arms.

1

2

2


3

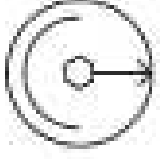
DISC BRAKE

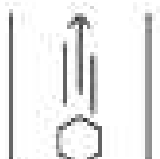
Metallic disc with single pad brake for parking position

GRIPPING SYSTEM

Hook tooling or specific gripping tool studied by ATIS.


95 KG
ESTIMATED CAPACITY
AT THE FLANGE


4,1 M
RADIUS


1,8 M
VERTICAL
STROKE


LOADS AT CENTRE
OF GRAVITY

EXECUTIONS:

COLUMN ON SELF-SUPPORTING BASEPLATE

FIXED FLOOR COLUMN

OVERHEAD FIXED

OVERHEAD SLIDING