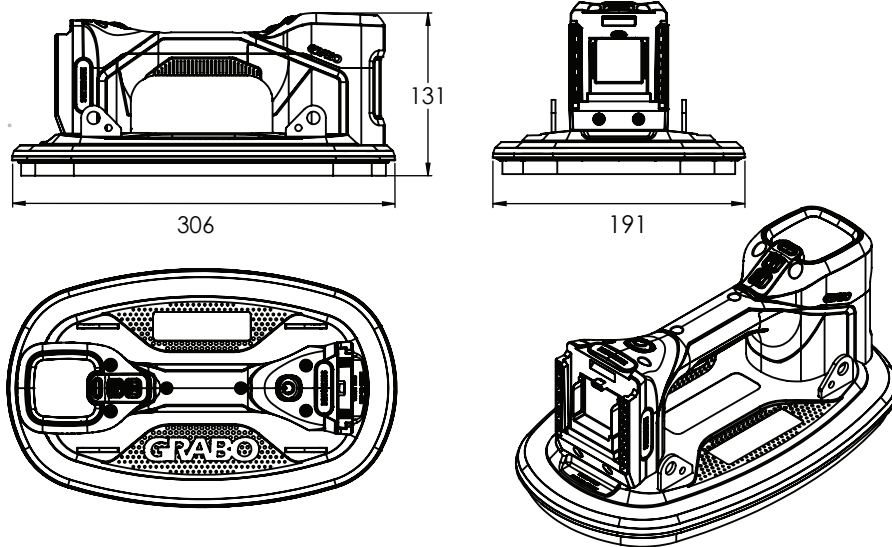


GRABO® PRO BRUSHLESS HEAVY LIFTING MADE EASY



Specifications:

Electric vacuum lifting device

Dimensions	310x191x149 mm / 12.2x7.5x5.9 inches
Net weight (with battery)	2 kg / 4.4 lbs

NOTICE: GRABO® Pro Brushless was tested up to 530 lbs (240 kg) at maximum lifting force under ideal conditions. However, this figure is the breaking point under optimal lab testing conditions which must never be reached in real-world applications!

Local regulations require different safety margins to be used and the official tool Working Load Limit (WLL) is set to 265 lbs (120 kg) based on a 2:1 ratio on a non-porous surface. In no case should the GRABO® Pro Brushless be used to lift more than the stated safe lifting values. Use the chart below to estimate safe lifting values:

GRABO® Pro Brushless lifting capacity

LIFTING FORCE CHART:		
	Perpendicular holding force	Parallel holding force
Metal	110kg / 242 lbs	110kg / 242 lbs
Wood	100kg / 220 lbs	65kg / 143 lbs
Glass	120kg / 265 lbs	120kg / 265 lbs
Rough Slate	80kg / 176 lbs	80kg / 176 lbs
Plastic	100kg / 220 lbs	100kg / 220 lbs
Ceramic Tile	120kg / 265 lbs	120kg / 265 lbs
Rough Concrete	80kg / 176 lbs	80kg / 176 lbs
Drywall	75kg / 165 lbs	65kg / 143 lbs

GRABO headquarters:
Eastern Commerce Center
6000 S Eastern Ave
Unit 9E
Las Vegas, Nevada, 89119

Info@GRABO.com
www.GRABO.com

Main Office:
+1 (844) 430-0510

Help & Warranty:
+1 (702) 718-2433

By Nemo Power Tools-
www.GRABO.com