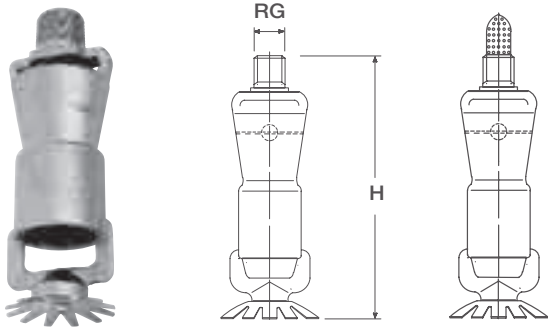


FOAM NOZZLES

LOW EXPANSION FOAM NOZZLES



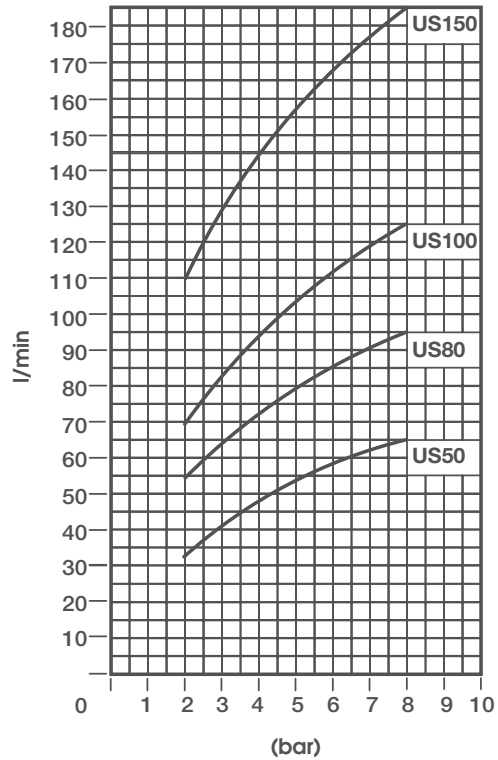
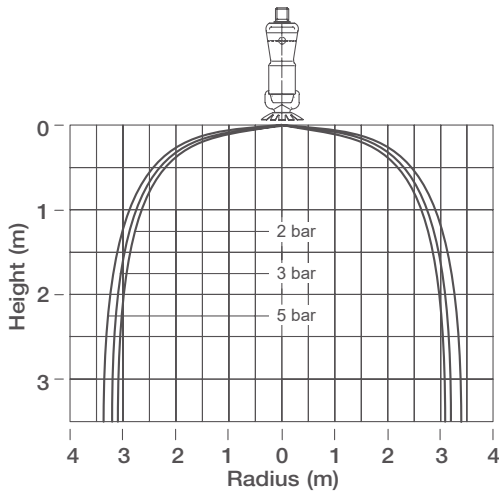
Copper filter available on request

RFV

The RFV Low Expansion Foam Nozzles consist of a body and a deflector especially designed for an optimized foam distribution. The foam solution stream is fractioned and air is sucked in inside the brass body, and then distributed by the deflector with covering angles up to 95°. Foam expansion rate typically 1:7.

Materials

Body **T52** Brass Delta
 Impact disc **B2** AISI 304 stainless steel



Upright model code

The RFV low expansion foam nozzles are also available as "up-right". Add a final "U" do the nozzle code to specify the upright design. Example: A model US 80 up-right nozzle has ordering code: RFV 2620 T52U.

Code	Mod.	RG inch	D mm	Capacity (lpm) at pressure (bar)					RE	H mm	W kg
				3	5	6	7	8			
RFV 2232 T52	US 30	1/2"	5.0	23	30	33	35	38	1:7	150	0.65
RFV 2387 T52	US 50		6.2	39	50	55	59	63			
RFV 2620 T52	US 80		8.5	62	80	88	95	101			
RFV 2388 T52	US 50	3/4"	6.2	39	50	55	59	63			
RFV 2621 T52	US 80		8.5	62	80	88	95	101			
RFV 2775 T52	US 100		9.0	77	100	110	118	126			
RFV 3116 T52	US 150		10.5	116	150	164	177	190			