

Drilling system  
BST 800







## BST 800

pure dynamics – an adventure

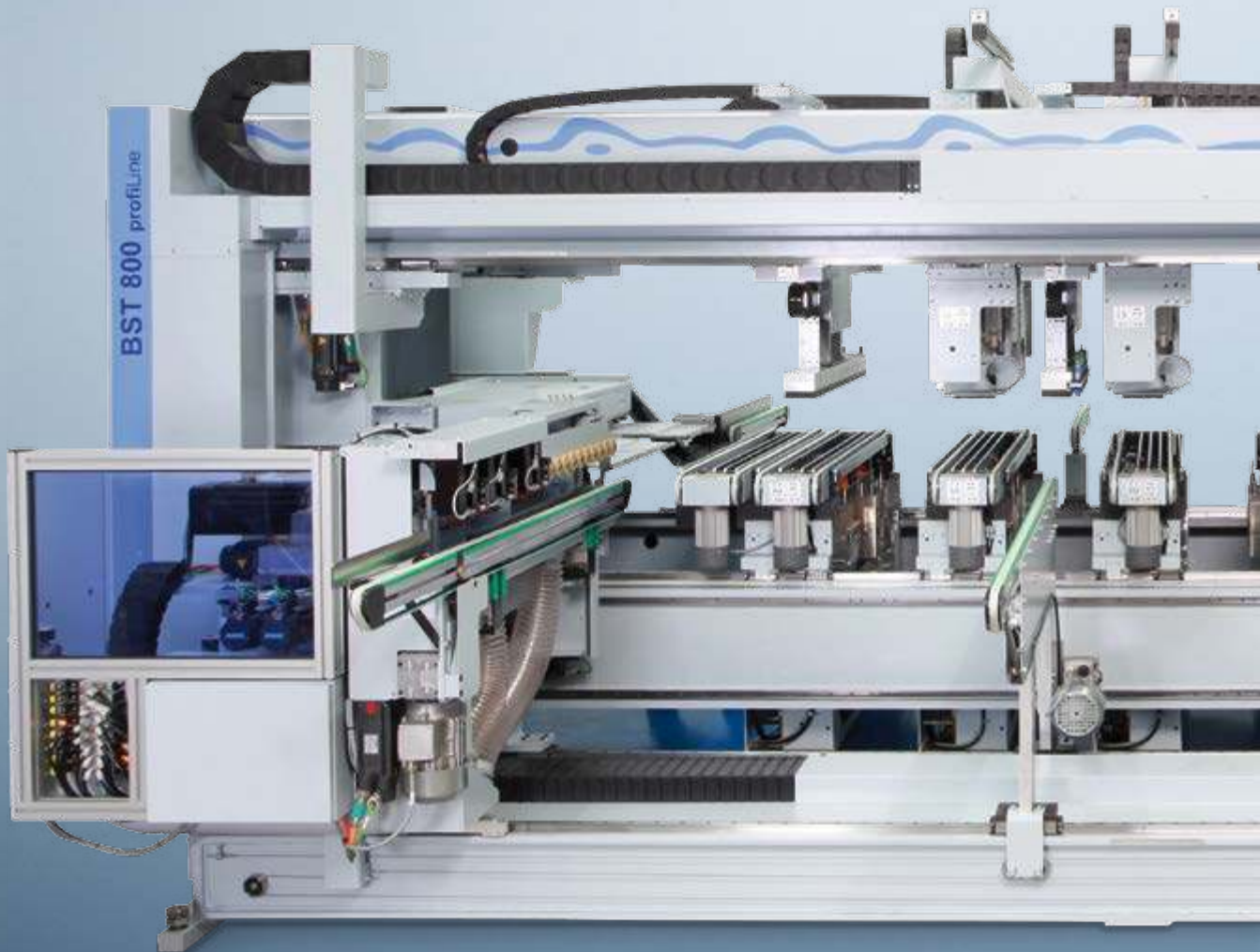
# The Result: **YOUR SOLUTION**

Up to 674 individually activated high-speed spindles provide a unique drilling performance beyond competition regarding speed and dynamics. All spindles are equipped with the patented spindle clamping thus ensuring a continuously exact drilling depth. High repeat accuracy at batch size 1 is not contradictory here. The setting times tend to zero and workpiece processing in just one passage offer a high degree of productivity.

Here you will find more: [www.homag.com](http://www.homag.com)

### Contents

- 04 BST 800 – Highlights
- 08 Drilling with full power
- 10 Software
- 11 Technical data



## BST 800 – Highlights:

**UP TO 674 INDIVIDUALLY RETRIEVABLE DRILLING SPINDLES** ensure dynamic batch size one manufacturing.

▪ **Highly dynamic drive system**

- Highest positioning accuracy despite high-speed handling
- Output: up to 30 pcs./min. in single-cycle operation and 22 pcs./min. in multi-cycle operation
- Machine setting time tends to zero

▪ **Versatile processing of panels:**

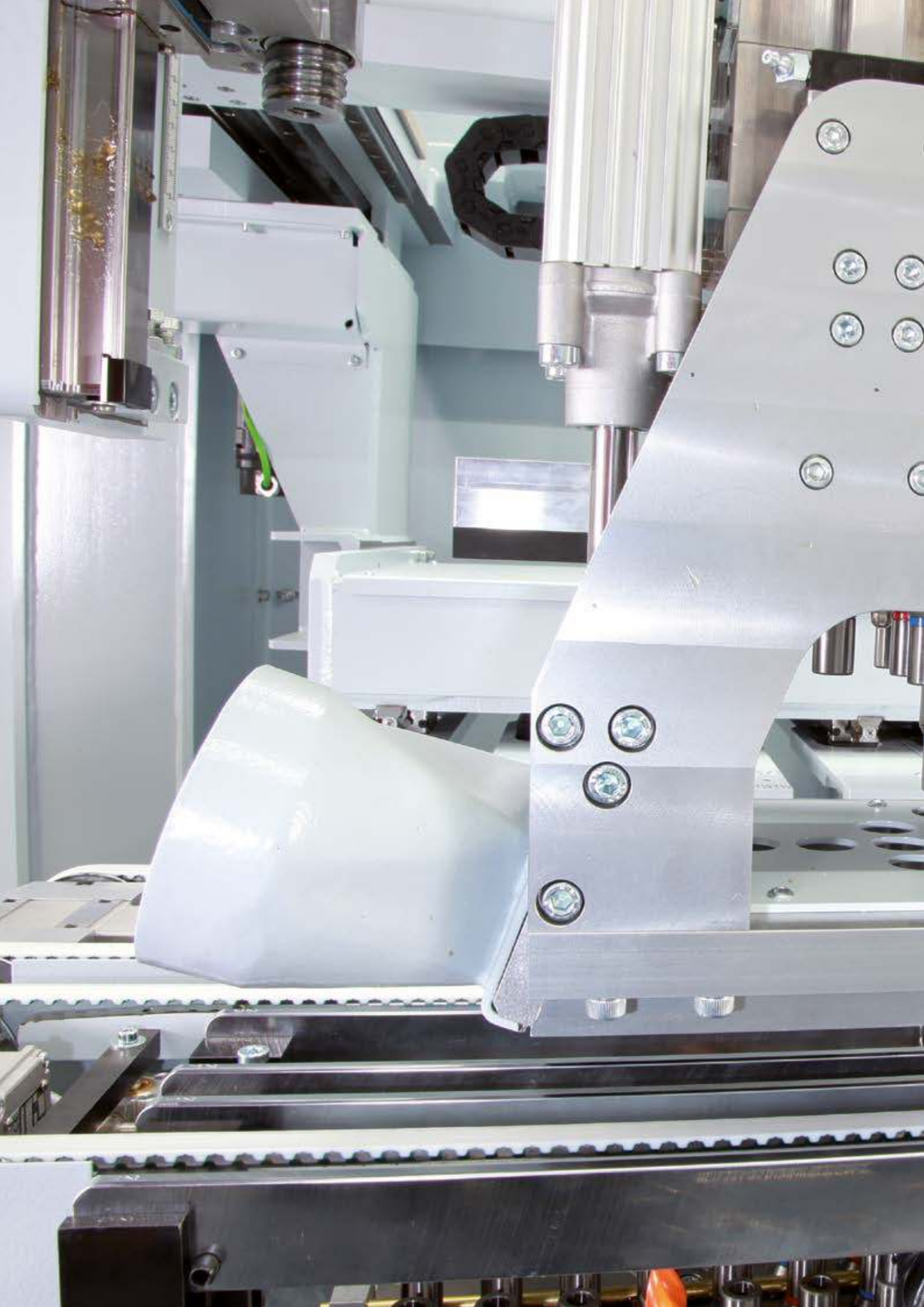
- Vertical drilling from top and bottom with individually activated spindles

- Horizontal drilling with individually activated spindles
- Horizontal dowel insertion

▪ **Customer-specific drill equipment**

- **Flat horizontal workpiece fence and guide system allows vertical drilling in edge zone**
- **ecoPlus – Savings due to stand-by-operation**







## Drilling with full power

**THIS MACHINE IS SUITABLE FOR OUR INDUSTRIAL PARTNERS WITH THE REQUIREMENT OF FAST AND PRECISE WORKPIECE PROCESSING WITH INDIVIDUAL DRILLING PATTERNS.** The high-speed drilling spindles of the BST 800 offer a drilling performance that is unrivaled in terms of speed and dynamics. High repeatability for batch size 1 manufacturing is the main principle. Set-up times are close to zero and workpieces can be processed in one pass, which leads to an extremely high level of productivity..



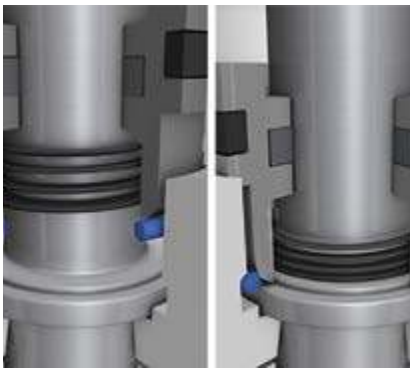
### Configuration example

- Customer-specific drill equipment
- Vertically up to 570 drilling spindles possible
- Horizontally up to 104 drilling spindles possible



### Horizontal drilling station

- Horizontal drilling block – individually activated



**Automatic spindle clamping system**

- Patented system
- Always exactly the same drilling depth – irrespective of materials
- Constant quality by high repeat accuracy

**Drilling supports from top and bottom**

- High quality of every drilling operation (example through holes)
- Increased productivity



**Workpiece clamping system**

- Horizontal fence and guide system for precise positioning of workpieces provides vertical drilling in edge zone



# Software

**WITH THIS SOFTWARE PACKAGE YOU ARE »READY TO RACE«.** You will receive one of the most established CNC-programming systems, the woodWOP software, which has proven itself by more than 30.000 installations worldwide.

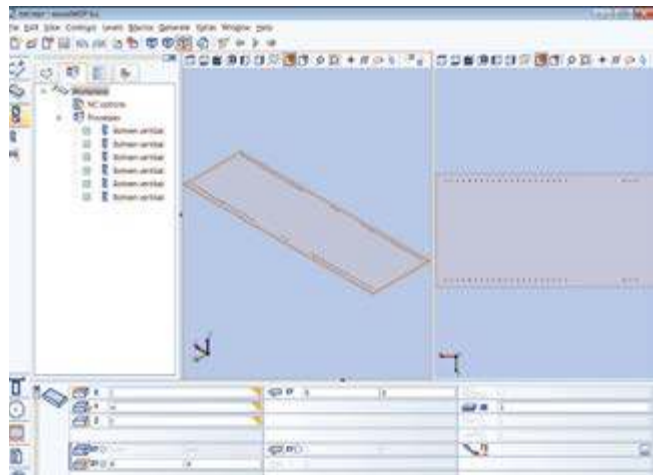
**Please use our website.**  
**Worldwide largest forum for woodWOP:**  
**Free Download of woodWOP-components**  
[www.homag.com/en/products/software](http://www.homag.com/en/products/software)





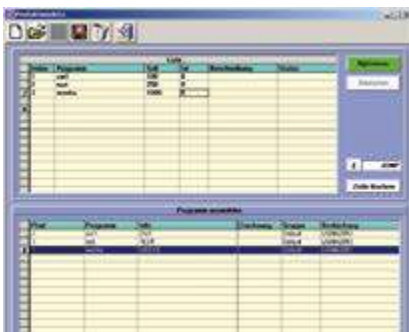
**powerControl**

- 17" TFT monitor
- Provision teleservice capability
- USB frontside bus
- Ethernet connection 10/100 Mbit
- Ergonomic hand terminal



**woodWOP**

- Worldwide established CNC-programming system – already more than 30.000 installations
- More safety and control in programming by 3D-presentations of all relevant elements



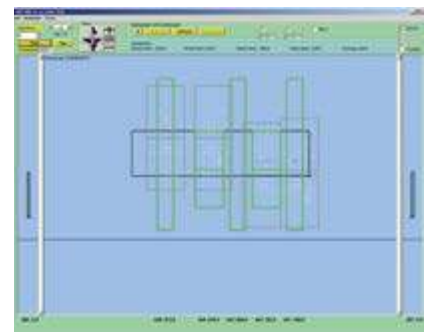
**Production list software**

- For management and creation of product lists for individual manufacturing



**Main user interface topDrill**

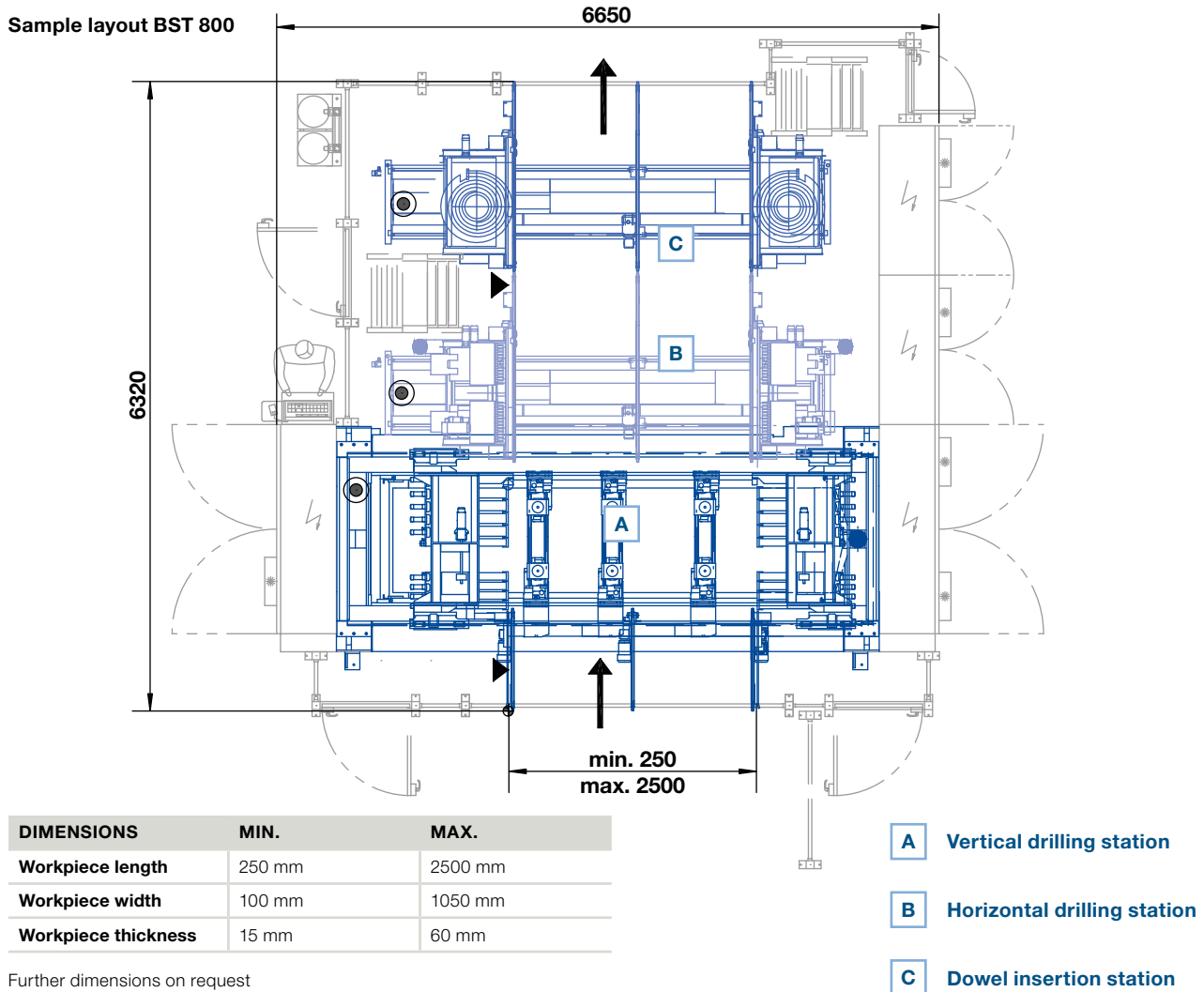
- Calling up detailed information of machine
- Start processing programs



**Generator**

- With graphic operator guidance to generate the NC-program

# Technical data



Further dimensions on request

## EQUIPMENT TYPES

**480**

### Vertical | bottom

Up to 6 drilling supports with 2 drilling blocks each, up to 40 individually activated spindles per drilling block

**90**

### Vertical | top

Up to 3 drilling supports with 2 drilling blocks each, up to 15 spindles per drilling block

**42**

### Horizontal

Per fixed and moveable side 1 drilling block with 13 or 21 spindles in one row per drilling block

**80**

Per fixed and moveable side 1 drilling block with 2x13 or 2x20 spindles in double row per drilling block

**52**

Per fixed and moveable side 2 drilling blocks with 13 spindles in one row per drilling block

**104**

Per fixed and moveable side 2 drilling blocks with 2x13 spindles in double row per drilling block

**HOMAG Bohrsysteme GmbH**

Benzstraße 10-16  
33442 Herzebrock-Clarholz  
GERMANY  
Tel.: +49 5245 445-0  
info-herzebrock@homag.com  
www.homag.com



**Choose the Original  
Choose Success!**

For the Success of Original  
Technology. A VDMA Campaign.